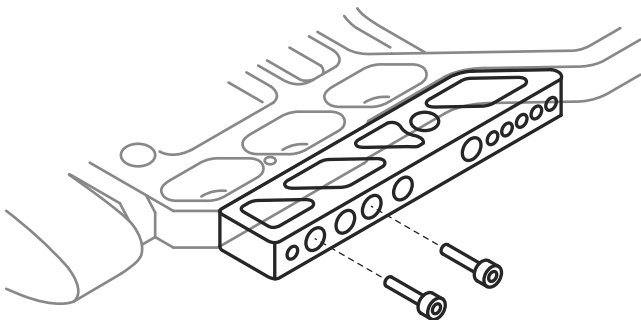


FLAT BAG RIDER

Tools required: 3mm hex key

Fits: All KRG Chassis



W-3 Chassis
buttstock