

SPIGOT MOUNT

Tools required:

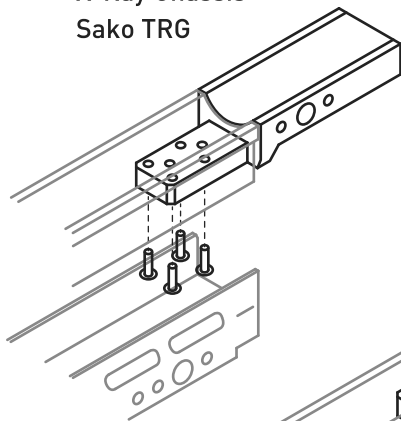
3mm hex key (KRG chassis)

4mm hex key (Sako TRG)

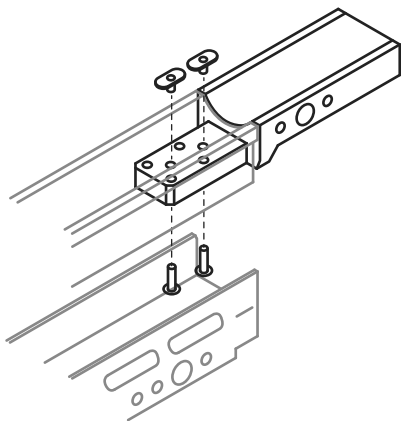
Fits: Whiskey-3 Chassis

X-Ray Chassis

Sako TRG



W-3 Chassis gen 3-5
all X-Ray
forend



W-3 Chassis gen 1-2
all TRG's
forend