

Thank you for purchasing the KRG Arca Rail Enclosed Forend! We hope that you enjoy using it.

INST-TUB-RUG-ARC

# Arca Rail Enclosed Forend for Ruger American



## Contents of Package:

### Ruger American

- Arca Rail Enclosed Forend, assembled
- Baggie with following contents:
  - 6ea Button head M5 x 25mm screws
  - 4ea flat M5 nut for mounting accessories

## Installation Instructions:

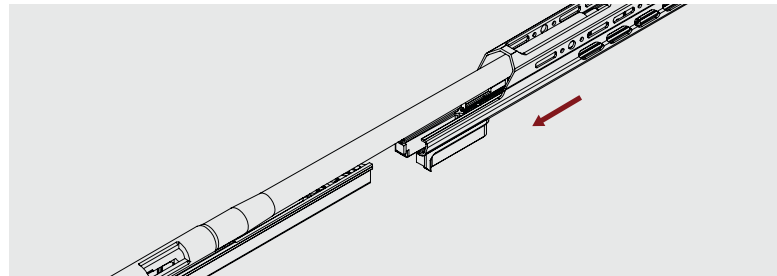


**Safety Warning:** Before you attempt any installation, make sure your rifle is unloaded. Also, before starting remove the bolt and magazine from the rifle.

**Step 1:** Remove the existing screws holding your current forend in place. These are either metric button head M5 screws or socket head M5 screws depending on the chassis and generation.

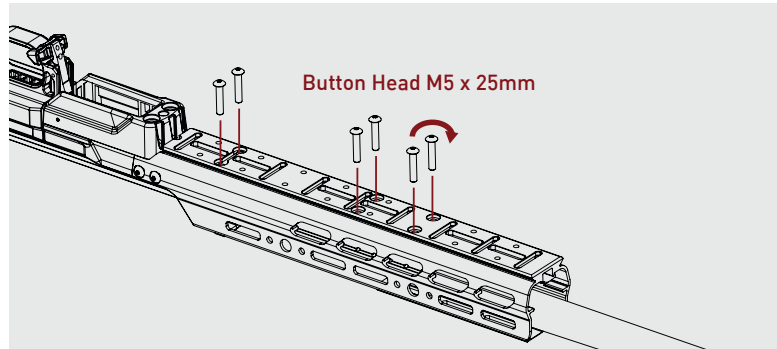
**Step 2:** We recommend that you install the accessories that you want to use on the forend before you put the forend onto the chassis. The rectangular slots on the forend are MLOK compatible so they are accessible even with the forend installed. However some of the round mounting hole positions are difficult. Use the included flat M5 nuts to install accessories that are non-MLOK.

**Step 3:** With barreled action still installed in the chassis, slide the tube forend over the front of the barrel until it butts up against the grip panels of the rear stock.



**Step 4:** Insert and tighten new forend screws included with Arca Rail Enclosed Forend. Use the **6x Button Head M5 x 25mm** screws at the front.

**Recommended torque: 24 in-lbs**



## Forend Mounting points:

