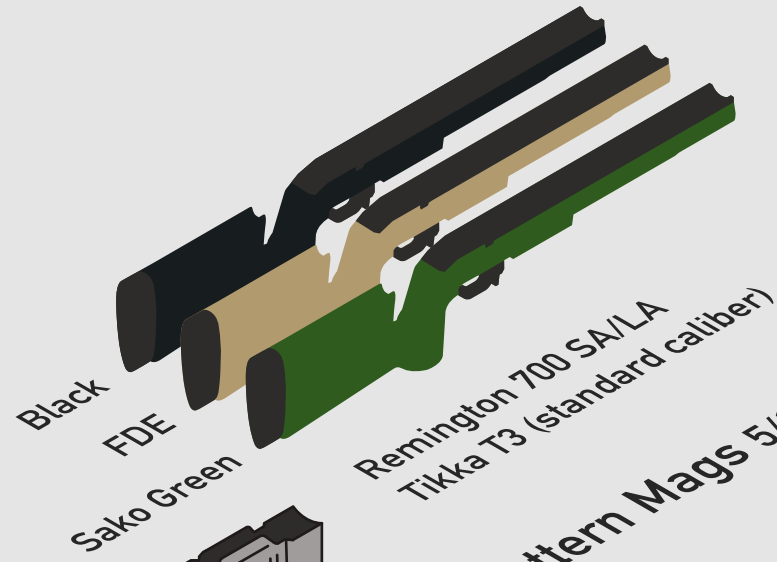


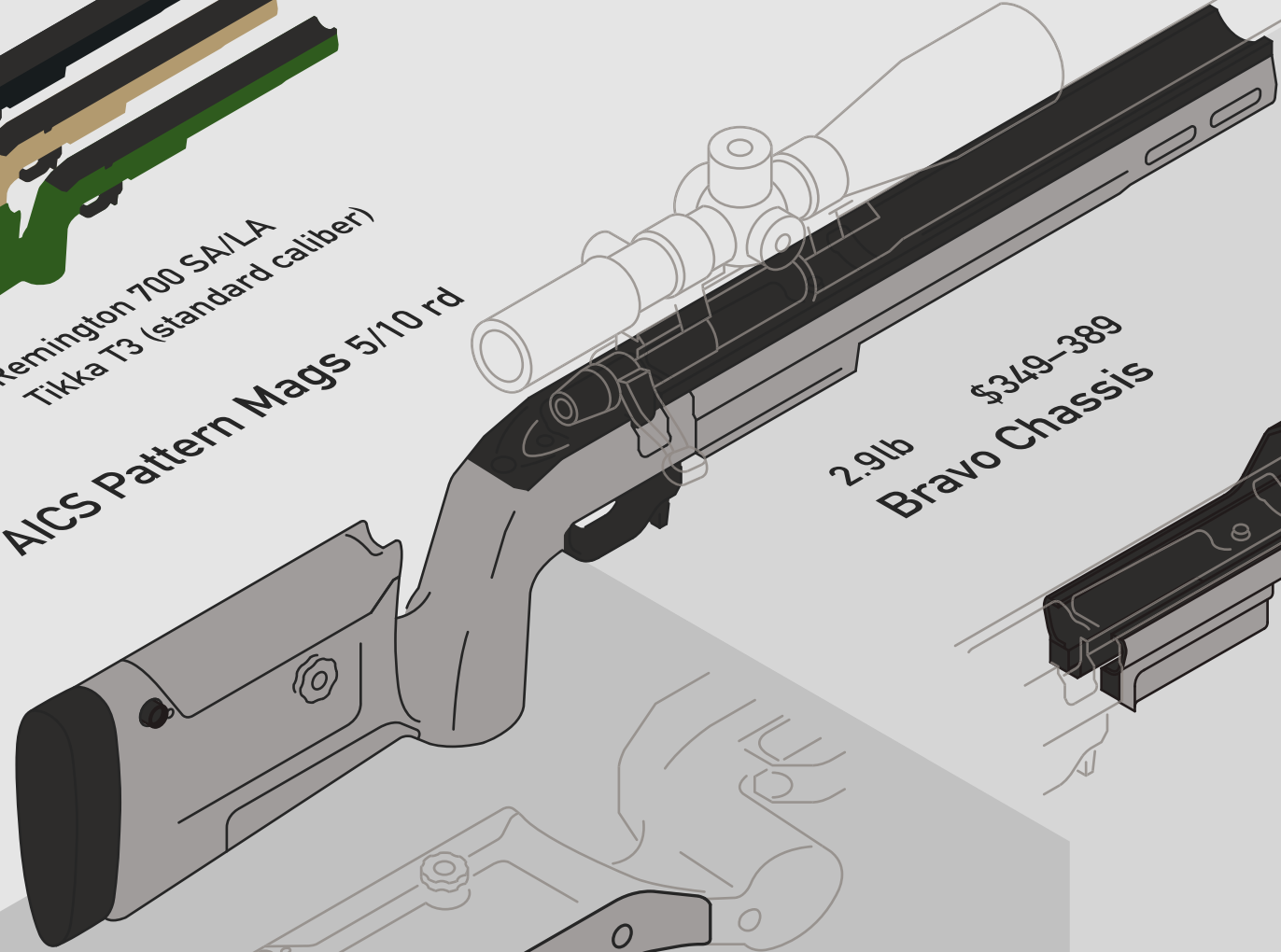
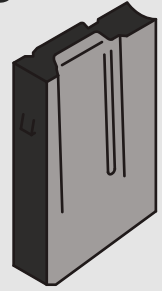
# Bravo

## Chassis & Accessories

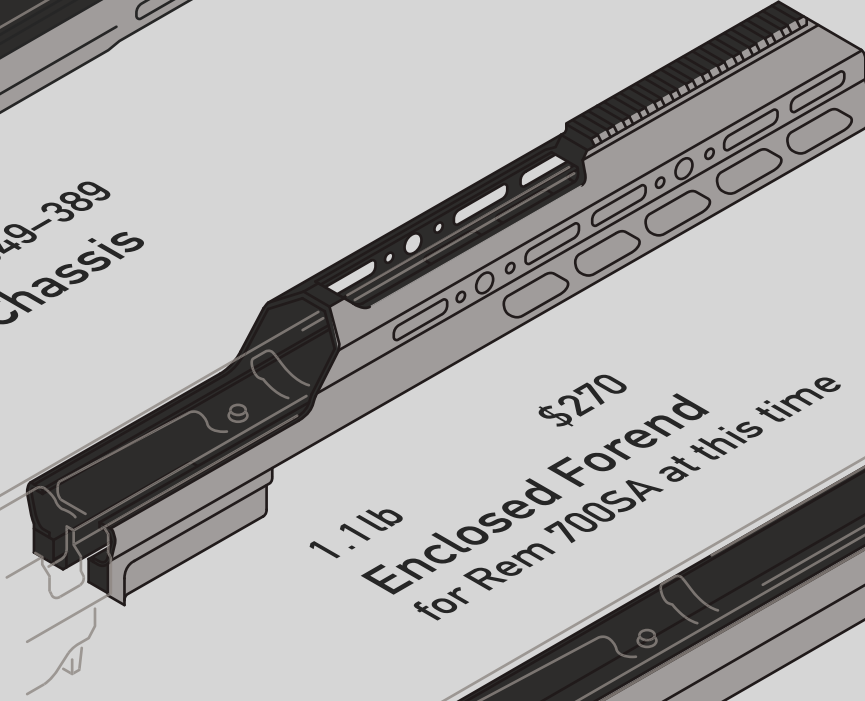


Black  
FDE  
Sako Green  
Remington 700 SA/LA  
Tikka T3 (standard caliber)

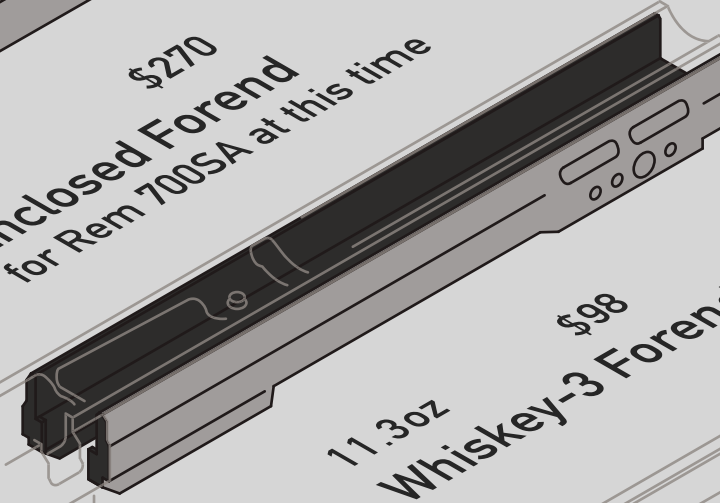
AICS Pattern Mags 5/10 rd



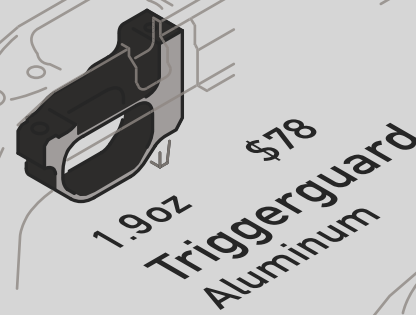
2.9lb \$349-389  
Bravo Chassis



1.1lb \$270  
Enclosed Forend  
for Rem 700SA at this time



11.3oz \$98  
Whiskey-3 Forend



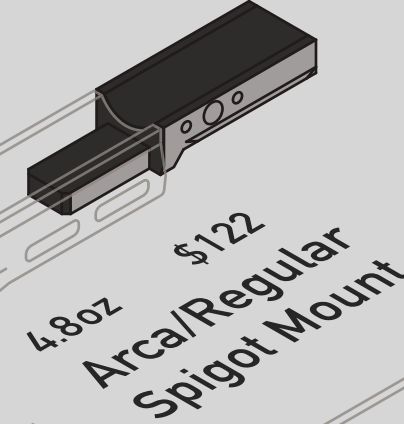
1.9oz \$78  
Triggerguard  
Aluminum



0.3oz \$27  
Mag Release  
Button Polymer



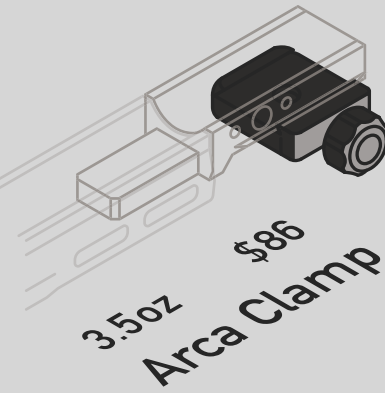
3.3oz \$176  
NV Mount Cap Kit



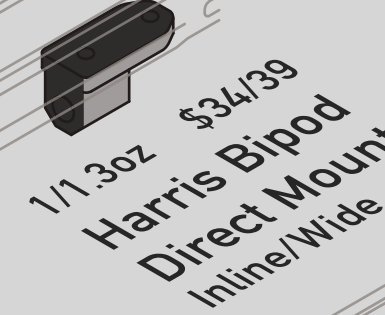
4.8oz \$122  
Arca/Regular  
Spigot Mount



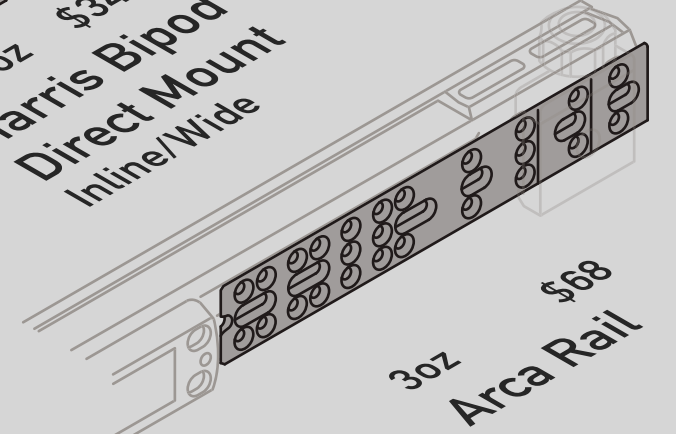
0.3oz \$26  
Spigot Filler



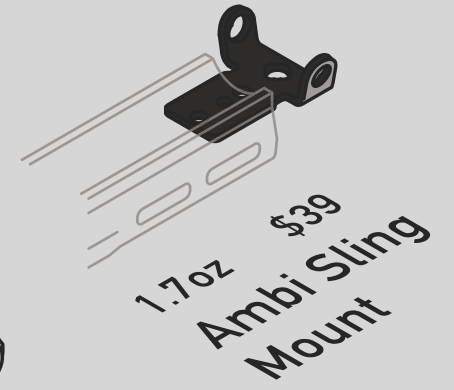
3.5oz \$86  
Arca Clamp



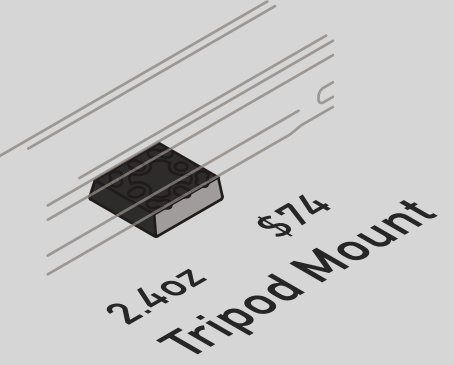
1/1.3oz \$34/39  
Harris Bipod  
Direct Mount  
Inline/Wide



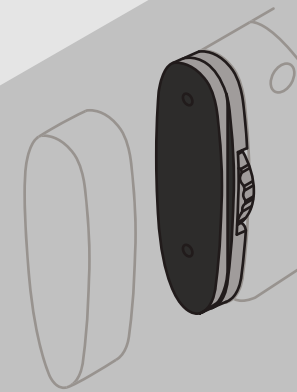
3oz \$68  
Arca Rail



1.7oz \$39  
Ambi Sling  
Mount



2.4oz \$74  
Tripod Mount



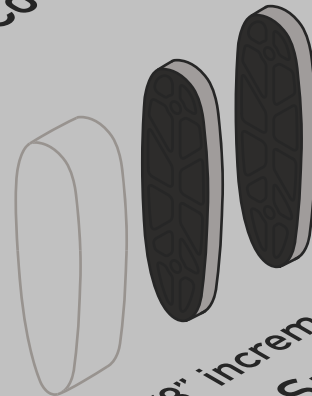
3oz \$68  
Tool-less Buttpad  
Height Mechanism



included with chassis  
QD Cup



Flat Cover



3/8" increments \$4-34  
LOP Spacer Set



0.2/0.7oz \$6/29  
MOE L2  
Poly/Alum



0.6oz \$36  
Barrier Stop



1.4/2.3oz \$37/45  
Barrier Multi-Tool  
Standard/Tall